



LED NEON FLEX SPECIFICATION

IP67 NEON 0612 24V SIDE VIEW

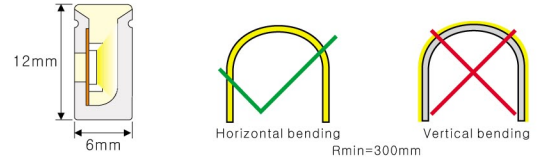
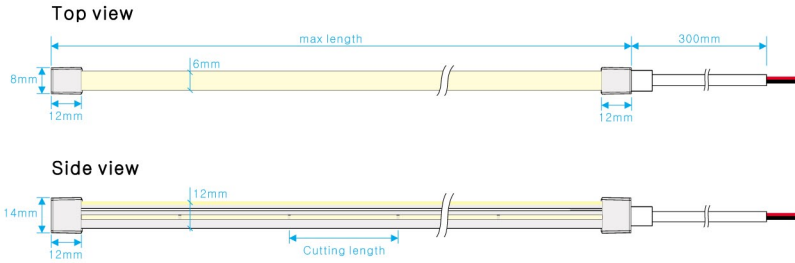


Note: Blue Moon LED may change product specification and installation guidance without prior notice.

- Regular power 5W/m and 10W/m for option
- Max length 20 meters with one end power
- Silicone end cap
- Eight CCT optional from 2100K to 6150K



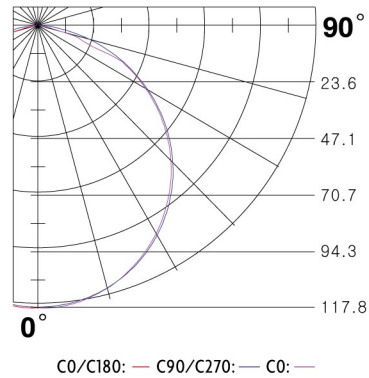
Dimensions & Waterproof



Product specification

Voltage	DC24 V
CRI/Ra	>90
Ambient temperature	-25°C~45°C
Color type	Cutting length (mm)
Single color	50mm
Tunable white	50mm
RGB color	62.5mm

Polar curve (The data base on 10W 6000K)



White colour parameters

Part Number	CCT (K)	Low power(5w/m)		High power(10w/m)	
		(lm/m)	(max length)	(lm/m)	(max length)
▶ BMNF-24-0612-XX-2200	2000-2200K	145	15m	246	10m
▶ BMNF-24-0612-XX-2400	2300-2500K	173	15m	312	10m
▶ BMNF-24-0612-XX-2700	2600-2800K	178	15m	353	10m
▶ BMNF-24-0612-XX-3000	2900-3100K	154	15m	299	10m
▶ BMNF-24-0612-XX-3500	3400-3700K	169	15m	327	10m
▶ BMNF-24-0612-XX-4000	3800-4300K	186	15m	360	10m
▶ BMNF-24-0612-XX-5000	4800-5300K	187	15m	360	10m
▶ BMNF-24-0612-XX-6000	5900-6400K	190	15m	359	10m

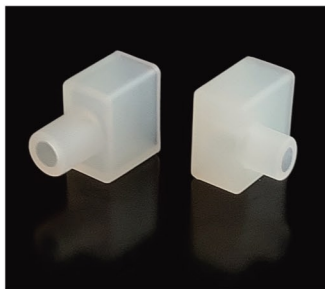
Tunable colour parameters

Part Number	CCT (K)	Low power(5w/m)		High power(10w/m)	
		(lm/m)	(max length)	(lm/m)	(max length)
▶ BMNF-24-0612-XX-TW2200	2000-2300K	58	5m	126	5m
▶ BMNF-24-0612-XX-TW5300	5000-5500K	88	5m	177	5m
▶ BMNF-24-0612-XX-TW3500	3400-3700K	158	5m	269	5m

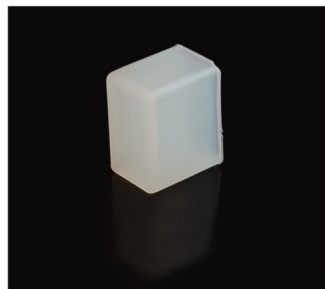
RGB colour parameters

Part Number	Colour (nm)	Low power(5w/m)		High power(10w/m)	
		(lm/m)	(max length)	(lm/m)	(max length)
▶ BMNF-24-0612-XX-R	620-625nm	82.0	20m	160.0	13m
▶ BMNF-24-0612-XX-G	515-525nm	240.0	15m	398.0	10m
▶ BMNF-24-0612-XX-B	460-465nm	29.7	15m	51.6	10m
▶ BMNF-24-0612-XX-Y	585-595nm	61.4	20m	125.0	13m
▶ BMNF-24-0612-XX-P	-	78.0	15m	144.6	10m
▶ BMNF-24-0612-XX-RGB	15000-30000K	73.0	5m	126.6	5m

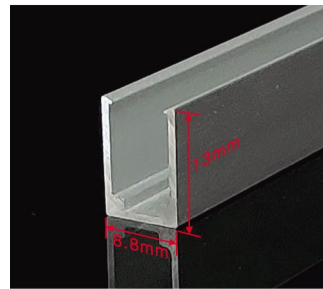
Accessories



Endcap connector with hole



Endcap without hole

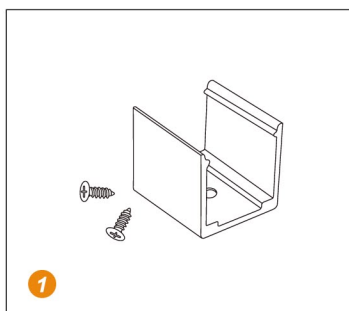


Mounting clip(length: 2cm)
Mounting channel(length: 1m, 2m,3m)

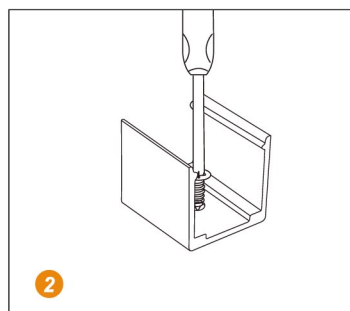


Scissors with angular scale

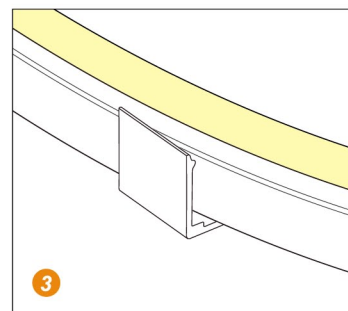
Installation



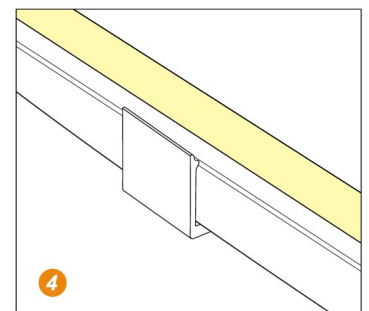
1 Prepare the screws and mounting clips



2 Adjust the fixed clips to the appropriate place, use a screwdriver to fix the screw.



3 Put the light emitting surface upwards, then insert the LED strip into the fixed clips.



4 Fix NEON strip completely into the fixed clip.